

# JENSEN®

CD-470C

---

## AM/FM STEREO COMPACT DISC PLAYER



### USER MANUAL

PLEASE READ THIS MANUAL CAREFULLY BEFORE OPERATING  
THE UNIT AND RETAIN IT FOR FUTURE REFERENCE

## CAUTION

### CLASS 1 LASER PRODUCT

CLASS 1 LASER PRODUCT  
APPAREIL LASER DE CLASSE 1  
PRODUCTO LASER DE CLASE 1

CAUTION  
INVISIBLE LASER RADIATION  
WHEN OPEN AND INTERLOCKS  
DEFEATED.  
AVOID EXPOSURE TO BEAM



This product contains a low power laser device.

Follow the advice below for safe operations.

### ON PROTECTION AGAINST LASER ENERGY EXPOSURE

- As the laser beam used in this compact disc player is harmful to the eyes, do not attempt to disassemble the casing.
- Stop operation immediately if any liquid or solid object should fall into the cabinet.
- Do not touch the lens or poke at it. If you do, you may damage the lens and the player may not operate properly.
- Do not put anything in the safety slot. If you do, the laser diode will be ON when the CD door is still open.
- If the unit is not to be used for a long period of time, make sure that all power sources are disconnected from the unit. Remove all batteries from the battery compartment, and unplug the AC-DC adaptor from the wall outlet. Make it a practice to remove the AC-DC by grasping the main body and not by pulling the cord.
- This unit employs a laser. The use of controls or adjustment or performance of procedures other than those specified here may result in exposure to hazardous radiation.

### ON PLACEMENT

- Do not use the unit in places where are extremely hot, cold, dusty or humid.
- Place the unit on a flat and even surface.
- Do not restrict the air-flow of the unit by placing it in a place with poor ventilation, by covering it with a cloth or by placing it on a carpet.

### ON CONDENSATION

- When left in a heated room where it is warm and damp, water droplets or condensation may form inside the unit.
- When there is condensation inside the unit, the unit may not function normally.
- Let it stand for 1 to 2 hours before turning the power on, or gradually heat the room up and dry the unit before use.

Should any trouble occur, remove the power source and refer servicing to qualified personnel.

## FCC NOTICE

This equipment has been tested and found to comply with the limits for a Class B digital device, pursuant to Part 15 of the FCC Rules. These limits are designed to provide reasonable protection against harmful interference in a residential installation. This equipment generates, uses and can radiate radio frequency energy and, if not installed and used in accordance with the instructions, may cause harmful interference to radio communications.

However, there is no guarantee that interference will not occur in a particular installation. If this equipment does cause harmful interference to radio or television reception, which can be determined by turning the equipment off and on, the user is encouraged to try to correct the interference by one or more of the following measures:

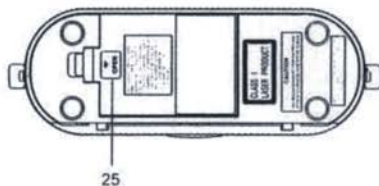
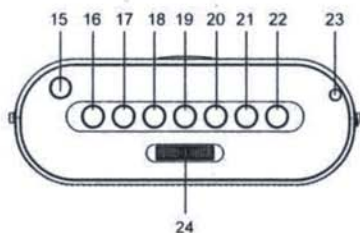
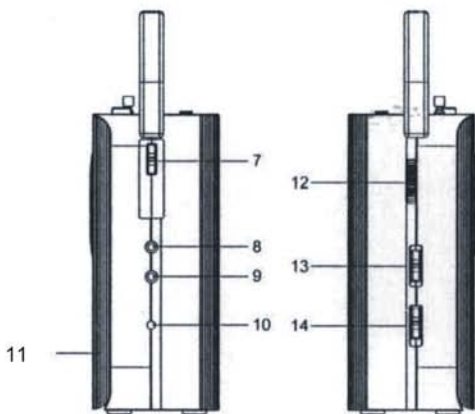
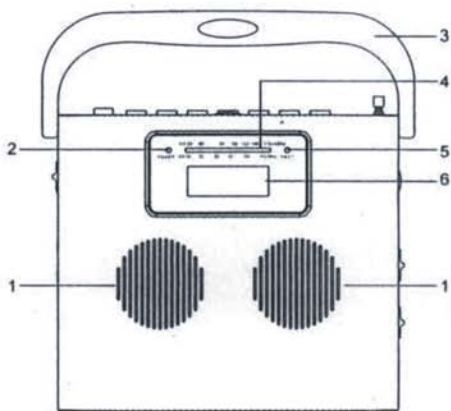
- Reorient or relocate the receiving antenna.
- Increase the separation between the equipment and receiver.
- Connect the equipment into an outlet on a circuit different from that to which the receiver is needed.
- Consult the dealer or an experienced radio/TV technician for help.

## WARNING:

Changes or modifications to this unit not expressly approved by the party responsible for compliance could void the user's authority to operate the equipment.

## LOCATION OF CONTROLS

1. BUILT-IN SPEAKER
2. POWER INDICATOR
3. HANDLE
4. DIAL SCALE
5. FM STÉREO INDICADOR
6. LCD DISPLAY
7. POWER ON/OFF SWITCH
8. AUX IN JACK
9. HEADPHONE JACK
10. DC INPUT JACK
11. CD DOOR (ON BACK)
12. VOLUME CONTROL
13. FUNCIÓN SWITCH  
(CD-RADIO-AUX IN)
14. BAND SWITCH  
(AM/FM/FM STEREO)
15. CD DOOR OPEN BOTTON
16. PROGRAM BOTTON
17. REPEAT BOTTON
18. SHUFFLE BOTTON  
(RANDOM PLAY)
19. STOP BOTTON
20. FAST REVERSE BOTTON
21. FAST FORWARD BOTTON
22. PLAY/PAUSE BOTTON
23. FM TELESCOPIC ANTENNA
24. TUNING BOTTON
25. BATTERY COMPARTMENT



### BATTERY OPERATION

1. Set the POWER ON/OFF Switch to the OFF position.
2. Remove the cover from the battery compartment on the bottom of the unit.
3. Follow the polarity diagram inside the compartment (+ and -) and insert 4 'C' size batteries (LR14, UM-2). Heavy duty alkaline batteries are recommended.
4. Re-attach the battery cover and be sure it locks into position.

**Note:** In order to operate the unit in batteries, the AC/DC adaptor (included) must be disconnected from the DC 6V Jack.

**IMPORTANT:** Be sure that the batteries are installed correctly. Wrong polarity may damage the unit and void the warranty.

### BATTERY CARE

- i. Do not mix old and new batteries.
- ii. Do not mix alkaline, standard (carbon-zinc) or rechargeable (nickel-cadmium) batteries.
- iii. Replace the battery only with the same or equivalent type.
- iv. If the unit is not to be used for an extended period of time, remove the battery. Old or leaking battery can cause damage to the unit and may void the warranty.
- v. Do not dispose of batteries in fire, batteries may explode or leak.

### AC/DC ADAPTOR OPERATION

Before connecting the adaptor, set the POWER ON/OFF Switch to the OFF position.

1. Insert the DC plug of the AC adaptor into the DC Jack on the left side of the unit.
2. Plug the AC/DC adaptor into a convenient standard 120V AC 60Hz wall outlet.



## LISTENING TO THE RADIO

### RADIO OPERATION

1. Set the volume control to a low level.
2. Set the CD/RADIO/AUX IN switch to RADIO position. Set the desired radio band with the AM/FM/FM ST switch.
3. Set the POWER ON / OFF switch to the ON position and the power LED will turn on.
4. Tune in a desired station by tuning the TUNING knob, when a FM stereo program is being received, the "FM ST" LED will turn on.  
\*If the FM station signal is weak and there is a large amount of noise (hiss), set the AM/ FM/FM ST Switch to FM position to select FM MONO mode, the "FM ST" LED will turn off.  
Although the sound effect is not better than FM STEREO mode, the background becomes quiet.
5. For best FM reception, pull out and extend the FM antenna to obtain the best reception.  
For best AM reception, rotate the unit horizontally to obtain the best reception.
6. Adjust the VOLUME CONTROL for your desired listening level.
7. To turn off the radio, set the POWER ON/OFF switch to OFF position, the power LED will turn off.

## DISC PLAYING

### GETTING STARTED

1. Set the VOLUME control to low level.
2. Press the CD door open button to open the CD compartment.
3. Place a disc onto the spindle inside the CD compartment with label side in front.
4. Close the CD door.
5. Set the CD / RADIO / AUX IN Switch to CD position.
6. Set the POWER ON / OFF switch to ON position to turn on the power, the POWER LED will turn on.
7. After the disc is read, the display will show the total track numbers and then the disc will stop.
8. Press the PLAY / PAUSE button once, the disc will start playing from the beginning.
9. Adjust the VOLUME to desired level.
10. To turn off the CD function, press STOP to stop the playback and set the POWER ON /OFF switch to OFF position, the POWER LED will turn off.

## GENERAL OPERATION

### Play / Pause Button ►||

Press once to start playback in the original order. The "►" will show on the display.

Press again to stop the disc play temporarily. The "►" will flash.

### FR/FF-Skip/Search Buttons ◀◀ / ▶▶

Press ▶▶ once to skip to next track or ◀◀ back to previous track.

Press ▶▶ / ◀◀ continuously to search forward or backward.

### REPEAT Button

1. During play mode, press once to play a track repeatedly. The Repeat Indicator, "↻ ONE" will appear in the Display.
2. During play mode, press twice to play the entire disc repeatedly. The Repeat Indicator, "↻ ALL" will be shown steadily in the Display.
3. To cancel the repeat function, press repeatedly until the Repeat Indicator, "↻" disappears in the Display.

### SHUF - Shuffle Button (For Random Play)

1. Press the SHUF button once, "SHUF" will show on the display.
2. Press the PLAY/PAUSE button (if in stop mode), all tracks on the disc will be played in random sequence, after all the tracks have been played, the disc will stop automatically.

### STOP Button

Press once to stop playback.

### PROG-Program play

1. In stop mode, press the PROG button once, the display will show "PGM 01" then change to "PGM 00" and flash, "01" means program number, "00" means track number. (Press the STOP button to cancel)
2. Press ▶▶ or ◀◀ button to select the desired track.
3. Press PROG button again to enter the track into memory, the display will show "PGM 02" then change to "PGM 00", "02" means the program number increase one step.
4. Repeat step 2 & 3 to program the order of more tracks up to 20 tracks can be programmed into memory.
5. Press PLAY/PAUSE button ►|| to start the program play.
6. To stop the program play, press the STOP button.

7. For program play in step "6", press the PROG button and ►|| button.
8. To check the program memory, in program play mode, press the ►|| OR ◀◀ button. Or in stop mode, press the PROG button repeatedly, the display will show the program number then quickly change to track number.
9. To erase the program memory, open the door or turn off the power.

## AUX IN OPERATION

You can play other music sources (MP3 player or other digital audio player) through the speakers of this unit by connecting the AUX IN JACK to your external players LINE OUT JACK or HEADPHONE JACK.

1. Set the POWER ON/OFF switch to OFF position, set the volume to low level.
2. Use an audio cable with two terminals that are 3.5mm plug (not supplied), plug one end into the AUX IN JACK and the other end to the LINE OUT / HEADPHONE JACK of your digital audio player.
3. Set the CD/RADIO/AUX IN switch to AUX IN position.
4. Set the POWER ON/OFF switch to ON position to turn on the power, the power LED will turn on.
5. Play your digital audio player
6. Adjust the VOLUME CONTROL for your desired listening level.
7. To turn OFF the AUX IN function, set the POWER ON/OFF switch to OFF position, the power LED will turn off.

## HEADPHONE JACK

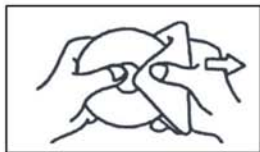
You can use an earphone / headphone to listen to music.

1. Adjust the volume to low level.
2. Insert an earphone / headphone into this jack.
3. Adjust the volume to your desired level.  
\*The speaker sound will cut off when you insert an earphone / headphone into this jack.



## CARE AND MAINTENANCE

1. Clean the unit with a soft, damp (never wet) cloth. Solvent or detergent should never be used.
2. Avoid operating your unit under direct sunlight or in hot, humid or dusty places.
3. Keep your unit away from heating appliances and sources of electrical noise such as fluorescent lamps or motors.
4. For better Clock Display clarity, avoid operating the unit under direct sunlight or in strong room illumination.
5. If drop-outs or interruptions occur in the music during CD play, or if the CD fails to play at all, its bottom surface may require cleaning. Before playing, wipe the disc from the center outwards with a good soft cleaning cloth.



Note - Do not use solvents such as benzene, thinner, commercially available cleaners or anti-static spray intended for analogue discs.

## TROUBLESHOOTING GUIDE

If you experience difficulties in the use of this player please refer to the following chart or call 1-800-777-5331 for Customer Service.

Problem	Points to check
Player fails to function	The disc may be inserted upside down. The disc not mounted correctly on the chuck. Dirty or a defective disc. Dirty pick up lens. CD door not closed. Moisture condensation, allow the player to warm up to room temperature for 60 minutes. AC Power to an adaptor switched off. Weak batteries.
No sound from Headphones	Headphones' plug is not firmly inserted into the phones socket.
No sound when played through an external amplifier	Connection is incorrect. Power to an external amplifier not switched on
Intermittent Sound	Dirty or defective disc. Dirty pick up lens. The player is subject to excessive vibration or shock. Low battery power. Poor Earphone connection.



At Spectra, environmental and social responsibility is a core value of our business. We are dedicated to continuous implementation of responsible initiatives with an aim to conserve and maintain the environment through responsible recycling.

Please visit us at <http://www.spectraintl.com/green.htm> for more information on Spectra's green initiatives or to find a recycler in your area.

## 90 DAY LIMITED WARRANTY AND SERVICE VALID IN THE U.S.A ONLY

SPECTRA MERCHANDISING INTERNATIONAL, INC. warrants this unit to be free from defective materials or factory workmanship for a period of 90 days from the date of original customer purchase and provided the product is utilized within the U.S.A. This warranty is not assignable or transferable. Our obligation under this warranty is the repair or replacement of the defective unit or any part thereof, except batteries, when it is returned to the SPECTRA Service Department, accompanied by proof of the date of original consumer purchase, such as a duplicate copy of a sales receipt.

You must pay all shipping charges required to ship the product to SPECTRA for warranty service. If the product is repaired or replaced under warranty, the return charges will be at SPECTRA's expense. There are no other express warranties other than those stated herein.

This warranty is valid only in accordance with the conditions set forth below:

1. The warranty applies to the SPECTRA product only while:
  - a. It remains in the possession of the original purchaser and proof of purchase is demonstrated.
  - b. It has not been subjected to accident, misuse, abuse, improper service, usage outside the descriptions and warnings covered within the user manual or non-SPECTRA approved modifications.
  - c. Claims are made within the warranty period.
2. This warranty does not cover damage or equipment failure caused by electrical wiring not in compliance with electrical codes or SPECTRA user manual specifications, or failure to provide reasonable care and necessary maintenance as outlined in the user manual.
3. Warranty of all SPECTRA products applies to residential use only and is void when products are used in a nonresidential environment or installed outside the United States.

This warranty gives you specific legal rights, and you may also have other rights which vary from state to state. TO OBTAIN SERVICE please remove all batteries (if any) and pack the unit carefully and send it freight prepaid to SPECTRA at the address shown below. IF THE UNIT IS RETURNED WITHIN THE WARRANTY PERIOD shown above, please include a proof of purchase (dated cash register receipt) so that we may establish your eligibility for warranty service and repair of the unit without cost. Also include a note with a description explaining how the unit is defective. A customer service representative may need to contact you regarding the status of your repair, so please include your name, address, phone number and email address to expedite the process.

IF THE UNIT IS OUTSIDE THE WARRANTY PERIOD, please include a check for **\$20.00** to cover the cost of repair, handling and return postage. All out of warranty returns must be sent prepaid.

It is recommended that you contact SPECTRA first at 1-800-777-5331 or by email at [custserv@spectrainl.com](mailto:custserv@spectrainl.com) for updated information on the unit requiring service. In some cases the model you have may be discontinued, and SPECTRA reserves the right to offer alternative options for repair or replacement.

SPECTRA MERCHANDISING INTERNATIONAL, INC.  
4230 North Normandy Avenue,  
Chicago, IL60634, USA.  
1-800-777-5331

To register your product, visit the link on the website below to enter your information.  
<http://www.spectrainl.com/wform.htm>

Printed in China

# JENSEN®

CD-470C

---

REPRODUCTOR DE CD CON RADIO AM/FM



MANUAL DE INSTRUCCIONES

Por favor lea y siga las instrucciones del manual detenidamente antes de utilizar esta unidad y consérvelo para futura consulta

# ADVERTENCIA

## PRODUCTO LASER CLASE 1

CLASS 1 LASER PRODUCT  
APPAREIL À LASER DE CLASSE 1  
PRODUCTO LASER DE CLASE 1

**PRECAUCION**  
RADIACION INVISIBLE DE LASER CUANDO  
ESTA ABIERTO Y LOS CIERRES DE  
SEGURIDAD ESTAN INOPERANTES.  
EVITE EL EXPONERSE AL RAYO DE LASER



Este producto contiene un dispositivo de laser de potencia baja.

Siga los siguientes consejos para operar en forma segura el aparato

### SOBRE LA PROTECCIÓN CONTRA LA EXPOSICIÓN DE ENERGÍA LÁSER

- Debido a que el rayo láser usado en el disco compacto es dañino para los ojos, no intente desensamblar la cubierta.
- Detenga la operación inmediatamente si cae algún líquido u objeto sólido dentro del gabinete.  
No toque el lente ni lo pinche ya que podría dañar el lente y el reproductor podría no funcionar correctamente. No ponga nada en la ranura de seguridad. Si así lo hace, el diodo de láser estará encendido cuando la puerta del compacto esté todavía abierta.
- Si no va a usar el aparato por un periodo largo de tiempo asegúrese que todas las Fuentes de alimentación estén desconectadas de la unidad. Remueva todas las baterías del compartimiento de baterías, y desenchufe la unidad del tomacorriente de la pared. Remueva el cable de AC asiendo el enchufe y no tirando de él.
- Esta unidad emplea un láser. El uso de controles de ajuste o rendimiento de procedimientos distintos a los que están especificados aquí podría resultar en exposición de radiación peligrosa.

### SOBRE COLOCACIÓN

- No utilice la unidad en lugares extremadamente calientes, fríos o húmedos.
- Coloque la unidad sobre una superficie plana y nivelada.
- No limite el flujo de aire de la unidad colocándola en un lugar con poca ventilación o cubriéndola con un paño o apoyándola en una alfombra.

### SOBRE CONDENSACIÓN

- Cuando la unidad se deja en un ambiente con calefacción donde hace calor y hay humedad, se puede formar dentro de la unidad gotas de agua o condensación.
- Cuando hay condensación dentro de la unidad, el equipo podría no funcionar adecuadamente.
- Espere 1 a 2 horas antes de encender el equipo, o caliente el ambiente gradualmente y seque la unidad antes de utilizarla.

Si llegara a tener algún problema, desenchufe la fuente de alimentación y refiérase a personal de servicio calificado.



## **ANUNCIO FCC**

Este equipo ha sido probado y obedece los límites de un dispositivo digital Clase B, observando la Parte 15 de las Reglas FCC. Estos límites están diseñados para suministrar protección razonable contra la interferencia nociva en una instalación residencial. Este equipo genera, utiliza y puede emitir energía de radiofrecuencia, y en el caso de no ser usado e instalado en conformidad con las instrucciones, puede causar interferencia nociva a las comunicaciones de radio.

Sin embargo, no existe garantía que la interferencia no ocurrirá en una instalación particular. Si este equipo causa interferencia nociva a la recepción de radio o televisión, hecho que puede ser determinado apagando o encendiendo el equipo, se recomienda al usuario que intente corregir la interferencia mediante una o más de las siguientes medidas:

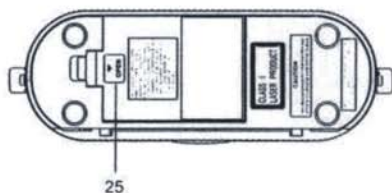
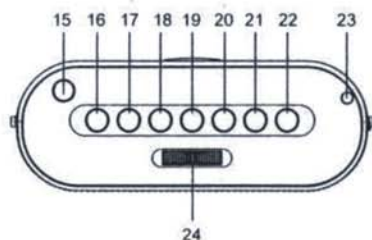
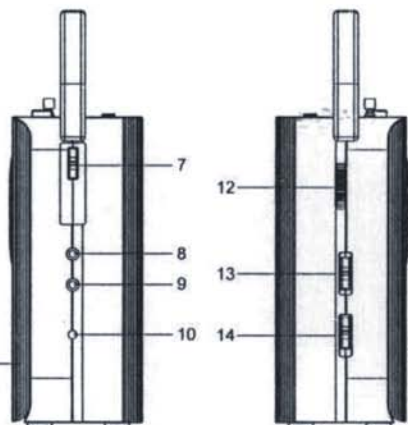
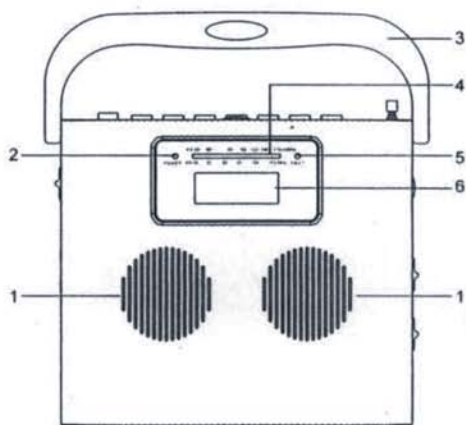
- Reorientar o reubicar la antena receptora.
- Aumentar la separación entre el equipo y el receptor.
- Conectar el equipo a un toma corriente o un circuito diferente de aquel al cual está conectado el receptor.
- Consulte al representante o un técnico de radio/TV experimentado para más asistencia.

### **ADVERTENCIA:**

De acuerdo con los requerimientos FCC, los cambios o modificaciones realizados a esta unidad que no estén expresamente aprobados por la parte responsable de la conformidad, podrían cancelar la autoridad del usuario para operar el equipo.

## LOCALIZACIÓN DE CONTROLES

1. PARLANTE INTEGRADO
2. INDICADOR DE ENCENDIDO
3. MANIJA
4. DIAL
5. INDICADOR DE FM ESTÉREO
6. PANTALLA LCD
7. INTERRUPTOR DE ENCENDIDO/  
APAGADO
8. ENTRADA AUXILIAR
9. ENTRADA PARA AURICULARES
10. ENTRADA PARA CC
11. PUERTA DEL COMPARTIMIENTO  
DEL CD (PARTE TRASERA)
12. CONTROL DE VOLUMEN
13. INTERRUPTOR DE FUNCIÓN
14. INTERRUPTOR DE BANDA  
(AM/FM/FM EST)
15. BOTÓN PARA ABRIR LA PUERTA  
DEL COMPARTIMIENTO DEL CD
16. BOTÓN PARA PROGRAMAR
17. BOTÓN PARA REPETIR
18. BOTÓN PARA REPRODUCIR  
AL AZAR
19. BOTÓN PARA DETENER
20. BOTÓN PARA REBOBINAR
21. BOTÓN PARA ADELANTAR
22. BOTÓN PARA REPRODUCIR/  
PAUSAR
23. ANTENA TELESCÓPICA FM
24. BOTÓN SINTONIZADOR
25. COMPARTIMIENTO DE LA  
BATERÍA



## FUENTES DE ALIMENTACIÓN FUNCIONAMIENTO CON BATERÍA

1. Coloque el interruptor de ENCENDIDO/APAGADO EN LA POSICIÓN DE APAGADO (OFF).
2. Retire la tapa del compartimiento de batería en la parte inferior de la radio.
3. Siga el diagrama de polaridad dentro del compartimiento e introduzca 4 baterías tamaño "C" (LR14, UM-2) Se recomiendan batería alcalinas de extra duración.
4. Vuelva a colocar la tapa del compartimiento de batería y asegúrese de que esté bien cerrada.

**Nota:** Para operar la unidad con baterías, el adaptador CA/CC ( Incluido) debe estar desconectado del enchufe de CC 6V.

**IMPORTANTE** Asegúrese que las baterías queden instaladas correctamente. Una polaridad incorrecta podría dañar la unidad y anular la garantía.

### CUIDADO DE LA BATERÍA

- i. No mezcle baterías viejas nuevas.
- ii. No mezcle baterías alcalinas, estándar (carbon-zinc) o recargables (níquel-cadmio).
- iii. Reemplace las baterías solamente con el mismo tipo o su equivalente.
- iv. Si la unidad no se utilizará durante un periodo de tiempo extendido, quite la batería. Una batería vieja o con líquido derramado puede causar daño a la unidad y podría anular la garantía.
- v. No deseche las baterías en el fuego. Podrían derramarse o explotar.

### FUNCIONAMIENTO CON EL ADAPTADOR CA/CC

Antes de conectar el adaptador, coloque el interruptor de ENCENDIDO/APAGADO en la posición de apagado (OFF).

1. Introduzca el enchufe CC del adaptador CA/CC en la toma CC del lado izquierdo de la unidad.
2. Enchufe el adaptador CA/CC en una toma de pared estándar bien situada de 120VCA/60Hz.

## PARA ESCUCHAR LA RADIO

1. Ajuste el control de volumen a un nivel bajo.
2. Deslice el interruptor de CD/RADIO/AUX a la posición de RADIO. Ajuste la banda de radio que desee con el interruptor AM/FM/FM EST.
3. Deslice el interruptor de ENCENDIDO/APAGADO en la posición de ENCENDIDO (ON) y el indicador luminoso se encenderá.
4. Sintonice la estación que desee con la perilla del SINTONIZADOR, cuando se recibe un programa de FM estéreo. El indicador luminoso de "FM ST" se encenderá.

\*Si la señal de FM es débil y hay demasiado ruido (siseo), deslice el interruptor de AM/ FM/FM EST a la posición FM para seleccionar el modo de FM MONO, el indicador luminoso de "FM ST" se apagará. Aunque el efecto de sonido no es mejor que el modo FM ESTÉREO, el sonido de fondo desaparecerá.

5. Para una mejor recepción de FM, extraiga y extienda la antena. Para una mejor recepción de AM, rote cuidadosamente la unidad horizontalmente.
6. Ajuste el CONTROL DE VOLUMEN para alcanzar el nivel de volumen deseado.
7. Para apagar la radio, deslice el interruptor de ENCENDIDO/APAGADO a la posición de APAGADO (OFF), el indicador luminoso de ENCENDIDO se apagará.

### PARA REPRODUCIR UN CD

1. Ajuste el control de volumen a un nivel bajo.
2. Presione la puerta del compartimiento de CD para abrirla.
3. Coloque el disco sobre el eje dentro del compartimiento de CD con el lado de la etiqueta al frente.
4. Cierra la puerta del compartimiento del CD.
5. Deslice el interruptor de CD/RADIO/RADIO/ENTRADA AUX en la posición CD.
6. Deslice el interruptor de ENCENDIDO/APAGADO en la posición de ENCENDIDO (ON) para encender la unidad, el indicador luminoso de encendido se encenderá.
7. Después de leer el disco, la pantalla mostrará el número total de pistas y luego el disco se detendrá.
8. Presione el botón para REPRODUCIR/PAUSAR una vez, el disco comenzará a reproducirse desde el comienzo.
9. Ajuste el volumen al nivel deseado.
10. Para apagar la función CD, presione el botón para detener para parar la reproducción y deslice el interruptor de ENCENDIDO/APAGADO en la posición de APAGADO, el indicador luminoso se apagará.

### OPERACIÓN GENERAL

#### Botón para Reproducir/Pausar ►||

- Presione una vez para comenzar la reproducción en el orden original. Aparecerá " ► " en la pantalla.
- Presione nuevamente para detener la reproducción del disco temporalmente. El icono " ► " parpadeará.

#### Botones para Rebobinar/Adelantar/Saltar/Buscar ◀◀/▶▶

- Presione una sola vez para saltar a la próxima pista ▶▶ o salta a la pista anterior ◀◀
- Presione continuamente para buscar hacia delante ▶▶ o hacia atrás ◀◀

#### Botón para Repetir

1. Durante modo del juego, presione una vez para jugar una pista en varias ocasiones. El indicador de la repetición, " ↻ ONE ", aparecerá y contelleará en la visualización.
2. Durante modo del juego, presione dos veces para jugar el disco entero en varias ocasiones. El indicador de la repetición, " ↻ ALL ", será mostrado constantemente en la visualización.
3. Para cancelar la función de repetición de carácter, presione en varias ocasiones hasta el indicador de la repetición, " ↻ " desaparece en la visualización.



### **Botón para reproducir al azar (SHUF)**

1. Presione el botón SHUF una vez, "SHUF" aparecerá en la pantalla.
2. Presione el botón para REPRODUCIR/PAUSAR (si esta en modo detenido), se reproducirán todas las pistas en una secuencia al azar, después de que todas las pistas se hayan reproducido, el disco se detendrá automáticamente.

### **Botón para Detener**

- Presione una vez para detener la reproducción.

### **PROG- Programar reproducción**

1. En modo detenido, presione el botón PROG una vez, la pantalla mostrará "PGM01", luego cambiará y parpadeará "PGM 00", "01" significa número de programa, "00" significa número de pista. (Presione el botón para detener para cancelar)
2. Presione el botón ◀◀ o ▶▶ para seleccionar la pista que desea.
3. Presione el botón PROG nuevamente para la pista en la memoria, la pantalla mostrará "PGM 02" y luego cambiará a "PGM 00", "02" significa que el número de programa aumenta un paso.
4. Repetir pasos 1 y 2 para programar el orden de más pistas. Se pueden programar hasta 10 pistas en la memoria.
5. Presione el botón para REPRODUCIR/PAUSAR ▶|| para comenzar la reproducción del programa.
6. Para detener la reproducción del programa, presione el botón para DETENER.
7. Para la reproducción del programa en el paso "6", presione el botón PROG y el botón ▶|| .
8. Para verificar la memoria del programa, e modo de reproducción de programa, presione el botón ▶|| o el botón ◀◀ . O en modo detenido, presione el botón PROG repetidamente, la pantalla mostrará el número de programa y luego cambiará rápidamente al número de pista.
9. Para borrar la memoria del programa, abra la puerta del compartimiento del DC o apague la unidad.

### **OPERACIÓN DE LA ENTRADA AUXILIAR**

Usted puede otras de música (reproductor de MP3 u otros reproductores de audio digital) a través de los parlantes de esta unidad conectando el enchufe de entrada al enchufe de salida de su reproductor o la entrada de .

1. Deslice el interruptor de ENCENDIDO/APAGADO en la posición de APAGADO (OFF), ajuste el volumen a un nivel bajo.
2. Utilice un cable de audio con dos de 3.5 mm (no están incluidas), enchufe un en la entrada y el otro en la SALIDA DE LÍNEA/ENTRADA DE AURICULARES de su reproductor de audio digital.
3. Deslice el interruptor de CD/RADIO/AUX IN hacia la posición de AUX IN (Entrada Auxiliar)
4. Deslice el interruptor de ENCENDIDO/APAGADO en la posición de ENCENDIDO (ON) para encender la unidad, el indicador luminoso se encenderá.



5. Reproduzca su reproductor de audio digital.
6. Ajuste el CONTROL DE VOLUMEN para escuchar a un nivel deseado.
7. Para apagar la de entrada , deslice el interruptor de ENCENDIDO/ APAGADO a la posición de APAGADO (OFF). El indicador luminoso se apagará.

### ENTRADA PARA AURICULARES

Usted puede utilizar audífonos o auriculares para escuchar música.

1. Ajuste el volumen a un nivel bajo.
2. Introduzca los audífonos/auriculares en la entrada para auriculares.
3. Ajuste el volumen al nivel que desee.

\* El sonido del parlante se cortará cuando introduzca los auriculares/audífonos en la entrada.

### CUIDADO Y MANTENIMIENTO

1. No se deben tocar los lentes del reproductor de CD.
2. Limpie la unidad con un paño húmedo (nunca mojado). Nunca debe usarse solventes o detergentes.
3. Evite dejar su unidad al contacto directo con la luz solar o en lugares calurosos, húmedos o con polvo.
4. Mantenga su unidad lejos de dispositivos de calefacción u otras fuentes de ruido electrónico como lámparas fluorescentes o motores.
5. Si ocurren bajas o interrupciones durante la reproducción de la música, o si el disco no suena, la superficie inferior del podría estar sucia. Antes de poner un disco, límpielo con un paño suave desde el centro hacia fuera



**Nota:** No utilice solventes tales como benzina, o limpiadores comerciales o aerosoles antiestáticos que se utilizan para disco análogos.

## GUÍA DE RESOLUCIÓN DE PROBLEMAS Para limpiar el disco

De haber problemas con el uso de este reproductor revise el cuadro siguiente o llame a Servicio al Cliente al 1-800-777-5331.

Problema	Puntas a controlar
El Reproductor no funciona	El disco debe de estar colocado al revés. El disco no debe de estar montado correctamente. El disco está sucio o defectuoso. El fonocaptor del lente está sucio. La puerta del compartimiento del CD no está cerrada. Condensación de humedad. Deje que el reproductor entre en temperatura ambiente durante 60 minutos. El adaptador CA está apagado. Las baterías están gastadas.
No sale sonido de los auriculares	El enchufe no está introducido correctamente en la entrada de auriculares.
No hay sonido cuando el reproductor está conectado a unamplificador externo.	La conexión no es correcta. El amplificador externo no está encendido.
Sonido intermitente	El disco está sucio o defectuoso. El fonocaptor del lente está sucio. El reproductor está sujeto a vibración o sacudidas excesivas. La batería está baja. La conexión del auricular es defectuosa.



En Spectra, responsabilidad ambiental y social es un valor fundamental de nuestro negocio. Estamos dedicados a la aplicación continua de iniciativas responsables con el objetivo de conservar y mantener el medio ambiente mediante el reciclado responsable.

Por favor, visítenos en <http://www.spectraintl.com/green.htm> para obtener más información sobre las iniciativas verdes de Spectra o para encontrar un centro de reciclaje en su área.

## **GARANTÍA Y SERVICIOS DE COBERTURA LIMITADA POR 90 DÍAS VÁLIDA EN LOS ESTADOS UNIDOS SOLAMENTE**

SPECTRA MERCHANDISING INTERNATIONAL, INC. garantiza que esta unidad se encuentra libre de materiales o mano de obra de fábrica defectuosos, por un período de 90 días, desde la fecha de la compra original por parte del cliente, siempre que el producto sea utilizado dentro de los Estados Unidos. Esta garantía no es asignable o transferible. Nuestra obligación de acuerdo a esta garantía es reparar o reemplazar la unidad con defectos o cualquier parte correspondiente, con excepción de las baterías, cuando es devuelta al Departamento de Servicios de SPECTRA, acompañada de la prueba de la fecha original de compra por parte de cliente, como por ejemplo una copia duplicado del recibo de ventas.

Usted debe pagar todos los costos de envío requeridos para entregar el producto a SPECTRA para el servicio de garantía. Si el producto es reparado o reemplazado de acuerdo a garantía, los gastos de retorno serán por cuenta de SPECTRA. No existen otras garantías expresas diferentes de aquellas declaradas en el presente documento.

Esta garantía es válida solamente en el cumplimiento de las condiciones que se establecen a continuación:

1. La garantía se aplica solamente al producto de SPECTRA siempre que:
  - a. Permanezca en posesión del comprador original y se exhiba la prueba de compra.
  - b. Que no ha sido sometido a accidentes, mal uso, abuso, servicio inapropiado, uso fuera de las descripciones de advertencia cubiertas dentro del manual del propietario, o modificaciones no aprobada por SPECTRA.
  - c. Los reclamos deben ser hechos dentro del periodo de garantía.
2. Esta garantía no cubre daños o fallas del equipamiento causados por conexiones eléctricas que no cumplen con los códigos eléctricos, con las especificaciones del manual del propietario de SPECTRA, o la falta de cuidado razonable y mantenimiento necesario como se describe en el manual del propietario.
3. La garantía de todos los productos de SPECTRA se aplica solamente al uso residencial y es anulada cuando los productos son utilizados en un ambiente no residencial, o instalados fuera de los Estados Unidos.

Esta garantía le da derechos legales específicos, y usted puede tener también otros derechos que varían de estado a estado. Para OBTENER SERVICIO por favor remueva todas las baterías (de existir) y embale la unidad con cuidado enviándola a SPECTRA, a la dirección que se menciona abajo. SI LA UNIDAD ES DEVUELTA DENTRO DEL PERÍODO DE GARANTÍA EXHIBIDO arriba, por favor incluya una prueba de compra (recibo de caja registradora con fecha), para que podamos determinar su elegibilidad para el servicio de garantía y reparación de la unidad sin costo. También incluya una nota con una descripción explicando en qué forma la unidad es defectuosa. Un representante de atención al cliente tal vez deba contactarlo en relación al estado de su reparación, por lo tanto incluya su nombre, dirección, número de teléfono y dirección de correo electrónico para acelerar el proceso por favor.

SI LA GARANTÍA SE ENCUENTRA FUERA DEL PERÍODO DE GARANTÍA, por favor incluya un cheque por **\$20.00** para cubrir el costo de reparación, manejo y correo de retorno. Todas las devoluciones cubiertas por la garantía deben ser enviadas por correo prepago.

Se recomienda que primero entre en contacto con SPECTRA llamando al número 1-800-777-5331 o por correo electrónico enviando un mensaje a [custserv@spectraintl.com](mailto:custserv@spectraintl.com) para obtener información actualizada sobre la unidad que requiere servicio. En algunos casos el modelo puede haber sido discontinuado y SPECTRA se reserva el derecho de ofrecer opciones alternativas de reparación o reemplazo.

SPECTRA MERCHANDISING INTERNATIONAL, INC.  
4230 North Normandy Avenue,  
Chicago, IL60634, USA.  
1-800-777-5331

Para registrar su producto, siga el vínculo a continuación en el sitio web para ingresar su información.

<http://www.spectraintl.com/wform.htm>

Impreso en China